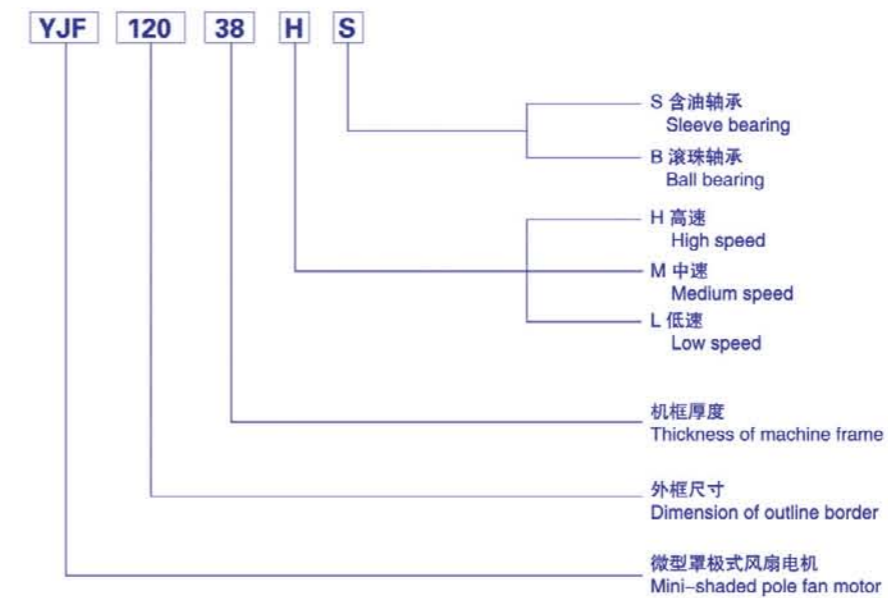


# YJF Series of Shaded Pole Motors

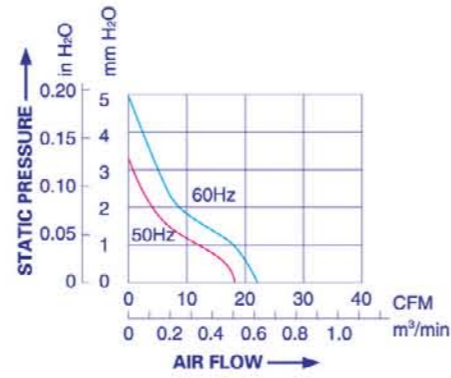
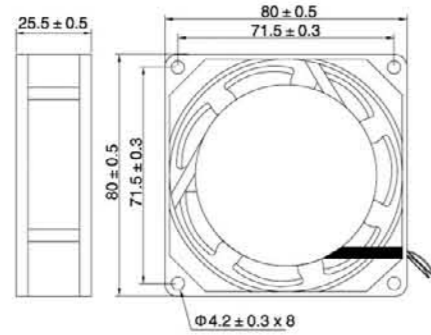
## YJF 系列产品概述 YJF Summarize of products

- YJF系列微型罩式风扇电机，具有结构紧凑、体积小、重量轻、噪音低、电磁干扰小、安全可靠、运用寿命长等特点。主要应用于制冷设备，电源设备，电焊机等仪器设备的通风散热。
- 适用温度：滚珠轴承 (B) -20~+60℃  
含油轴承 (S) 0~+50℃
- 电机平均使用寿命为30000小时以上
- 电机使用前，必须将电机接地线与外部接地装置有效连接。
- YJF series mini-shaded pole fan motors have compact structure and small volume. They have characteristics of light weight convenient installation, low noisy, small electromagnetic disturbance, safty, longevity and so on, They are mainly applied to refrigeration equipment, power supply circuit, electric welding machine as well as other ventilating and cooling equipment
- The applicable ambient temperature.  
Ball bearing: (B) -20~+60℃  
Sleeve bearing: (S) 0~+50℃
- The average service life of motors is over 30000 hours.
- Before operating the motor, make sure to put the earth wire of the motor connected with the external grounding device.

## 型号说明 Illustration of Model

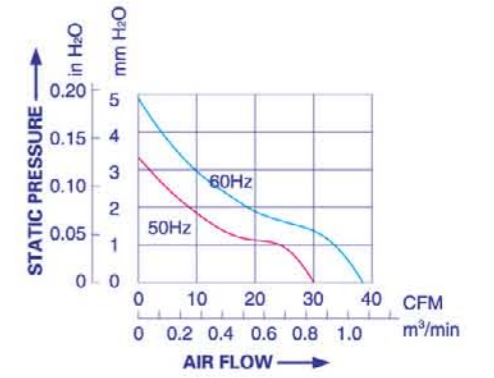
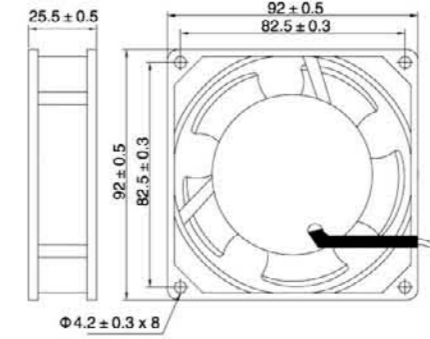


## YJF-8025 罩极电机 Shaded Pole Motors



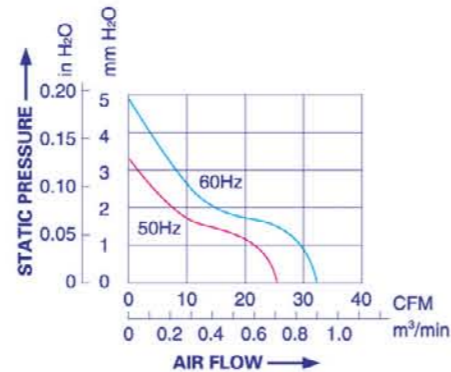
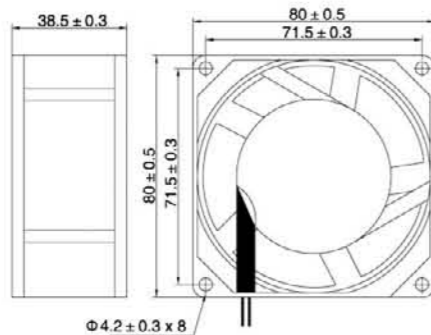
TYPE 型号	BEARING 轴承	LEAD WIRE 引出线	VOLTAGE 额定电压 V	FREQUENCY 额定频率 Hz	RATED INPUT 额定功率 W	RATED CURRENT 额定电流 A	SPEED 额定转速 r/min	AIR VOLUME 额定风量		STATIC PRESSURE 静压 mmH <sub>2</sub> O	NOISE 噪音 dBA	NET WEIGHT 净重 kg
								m <sup>3</sup> /h	CFM			
8025HB	BALL	CABLE	220~240	50/60	11/9	0.065/0.055	2500/2900	0.51/0.62	18/22	3.30/4.83	29/33	0.24
8025HS	SLEEVE	CABLE	220~240	50/60	11/9	0.065/0.055	2300/2700	0.51/0.62	18/22	3.30/4.83	29/33	0.24
8025HB	BALL	CABLE	110~120	50/60	12/11	0.12/0.10	2500/2900	0.51/0.62	18/22	3.30/4.83	29/33	0.24
8025HS	SLEEVE	CABLE	110~120	50/60	12/11	0.12/0.10	2500/2900	0.51/0.62	18/22	3.30/4.83	29/33	0.24

## YJF-9225 罩极电机 Shaded Pole Motors



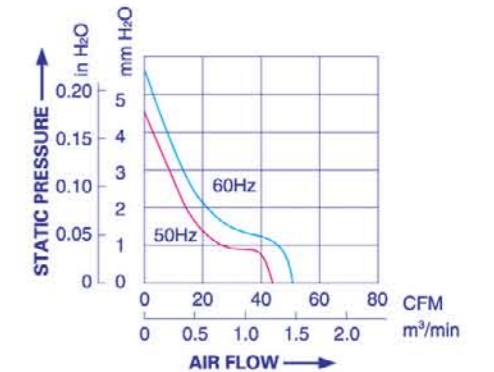
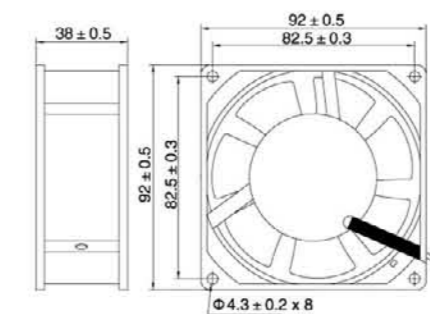
TYPE 型号	BEARING 轴承	LEAD WIRE 引出线	VOLTAGE 额定电压 V	FREQUENCY 额定频率 Hz	RATED INPUT 额定功率 W	RATED CURRENT 额定电流 A	SPEED 额定转速 r/min	AIR VOLUME 额定风量		STATIC PRESSURE 静压 mmH <sub>2</sub> O	NOISE 噪音 dBA	NET WEIGHT 净重 kg
								m <sup>3</sup> /h	CFM			
9225HB	BALL	CABLE/TERMINAL	220~240	50/60	11.5/9.5	0.065/0.055	2300/2600	0.85/1.05	18/22	3.30/4.83	31/35	0.3
9225HS	SLEEVE	CABLE/TERMINAL	220~240	50/60	11.5/9.5	0.065/0.055	2300/2600	0.85/1.05	18/22	3.30/4.83	31/35	0.3
9225HB	BALL	CABLE/TERMINAL	110~120	50/60	13/12	0.12/0.11	2500/2900	0.85/1.05	18/22	3.30/4.83	31/35	0.3
9228HS	SLEEVE	CABLE/TERMINAL	110~120	50/60	13/12	0.12/0.11	2500/2900	0.85/1.05	18/22	3.30/4.83	31/35	0.3

## YJF-8038 罩极电机 Shaded Pole Motors



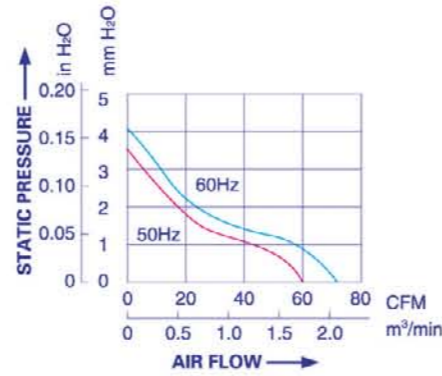
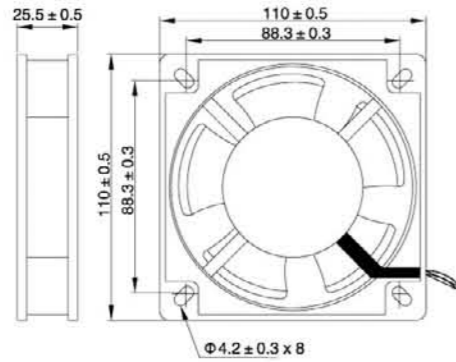
TYPE 型号	BEARING 轴承	LEAD WIRE 引出线	VOLTAGE 额定电压 V	FREQUENCY 额定频率 Hz	RATED INPUT 额定功率 W	RATED CURRENT 额定电流 A	SPEED 额定转速 r/min	AIR VOLUME 额定风量		STATIC PRESSURE 静压 mmH <sub>2</sub> O	NOISE 噪音 dBA	NET WEIGHT 净重 kg
								m <sup>3</sup> /h	CFM			
8038HB	BALL	CABLE/TERMINAL	220~240	50/60	16/12	0.10/0.08	2400/2800	24/31	18/22	3.30/4.83	31/35	0.3
8038HS	SLEEVE	CABLE/TERMINAL	220~240	50/60	16/12	0.10/0.08	2300/2700	24/31	18/22	3.30/4.83	31/35	0.3
8038HB	BALL	CABLE/TERMINAL	110~120	50/60	14/12	0.15/0.13	2400/2800	24/31	18/22	3.30/4.83	31/35	0.3
8038HS	SLEEVE	CABLE/TERMINAL	110~120	50/60	14/12	0.15/0.13	2400/2800	24/31	18/22	3.30/4.83	31/35	0.3

## YJF-9238 罩极电机 Shaded Pole Motors



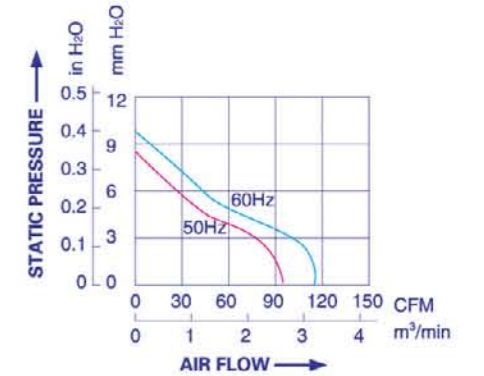
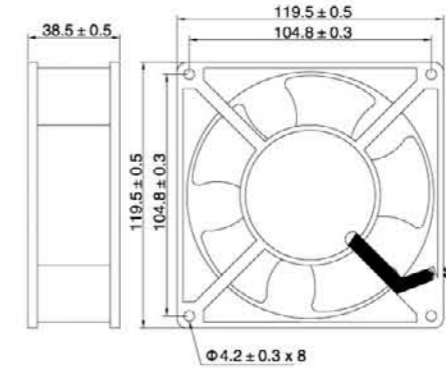
TYPE 型号	BEARING 轴承	LEAD WIRE 引出线	VOLTAGE 额定电压 V	FREQUENCY 额定频率 Hz	RATED INPUT 额定功率 W	RATED CURRENT 额定电流 A	SPEED 额定转速 r/min	AIR VOLUME 额定风量		STATIC PRESSURE 静压 mmH <sub>2</sub> O	NOISE 噪音 dBA	NET WEIGHT 净重 kg
								m <sup>3</sup> /h	CFM			
9238HB	BALL	CABLE	220~240	50/60	17/12	0.12/0.09	2300/2800	1.20/1.35	43/49	4.50/5.50	32/37	0.40
9238HS	SLEEVE	CABLE	220~240	50/60	17/12	0.12/0.09	2200/2600	1.20/1.35	43/49	4.50/5.50	32/37	0.40
9238HB	BALL	CABLE	110~120	50/60	18	0.22	2400	1.20/1.35	43/49	4.50/5.50	32/37	0.40
9238HS	SLEEVE	CABLE	110~120	50/60	18	0.22	2400	1.20/1.35	43/49	4.50/5.50	32/37	0.40

## YJF-11025 罩极电机 Shaded Pole Motors



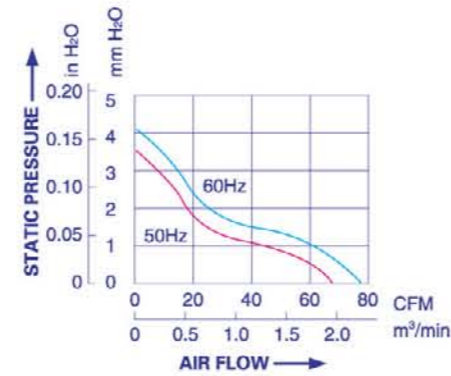
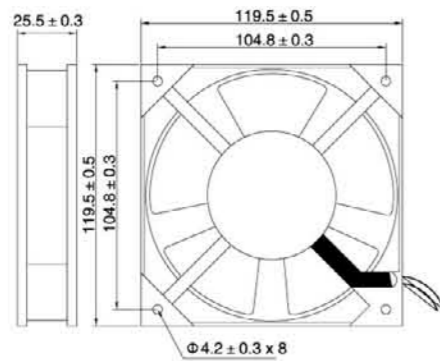
TYPE 型号	BEARING 轴承	LEAD WIRE 引出线	VOLTAGE 额定电压 V	FREQUENCY 额定频率 Hz	RATED INPUT 额定功率 W	RATED CURRENT 额定电流 A	SPEED 额定转速 r/min	AIR VOLUME 额定风量		STATIC PRESSURE 静压 mmH₂O	NOISE 噪音 dBA	NET WEIGHT 净重 kg
								m³/h	CFM			
11025HB	BALL	CABLE	220~240	50/60	19/17	0.10/0.09	2100/2400	1.70/2.01	60/71	3.56/4.06	36/38	0.33
11025HS	SLEEVE	CABLE	220~240	50/60	19/17	0.10/0.09	2000/2100	1.70/2.01	60/71	3.56/4.06	36/38	0.33
11025HB	BALL	CABLE	110~120	50/60	19/18	0.19/0.18	2200/2400	1.70/2.01	60/71	3.56/4.06	36/38	0.33
11025HS	SLEEVE	CABLE	110~120	50/60	19/18	0.19/0.18	2200/2400	1.70/2.01	60/71	3.56/4.06	36/38	0.33

## YJF-12038 罩极电机 Shaded Pole Motors



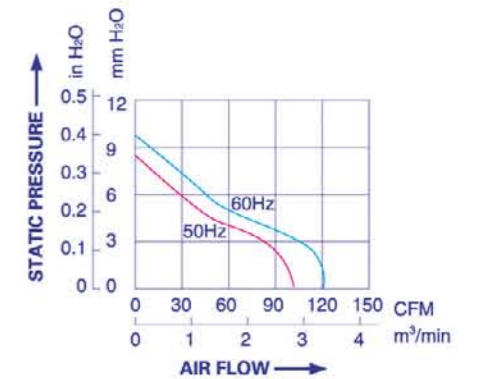
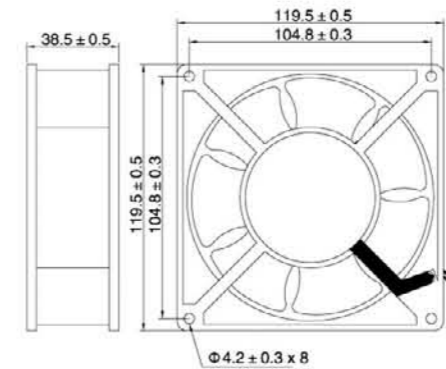
TYPE 型号	BEARING 轴承	LEAD WIRE 引出线	VOLTAGE 额定电压 V	FREQUENCY 额定频率 Hz	RATED INPUT 额定功率 W	RATED CURRENT 额定电流 A	SPEED 额定转速 r/min	AIR VOLUME 额定风量		STATIC PRESSURE 静压 mmH₂O	NOISE 噪音 dBA	NET WEIGHT 净重 kg
								m³/h	CFM			
12038HB	BALL	CABLE/TERMINAL	220~240	50/60	20/17	0.13/0.11	2600/2800	2.58/3.20	91/113	6.35/7.62	40/45	0.48
12038HS	SLEEVE	CABLE/TERMINAL	220~240	50/60	20/17	0.13/0.11	2600/2800	2.58/3.20	91/113	6.35/7.62	40/45	0.48
12038HB	BALL	CABLE/TERMINAL	110~120	50/60	21/18	0.22/0.18	2600/2900	2.58/3.20	91/113	6.35/7.62	40/45	0.48
12038HS	SLEEVE	CABLE/TERMINAL	110~120	50/60	21/18	0.22/0.18	2600/2900	2.58/3.20	91/113	6.35/7.62	40/45	0.48
12038HB	BALL	CABLE/TERMINAL	380	50	18	0.06	2600	2.58	91	6.35	40	0.48
12038HS	SLEEVE	CABLE/TERMINAL	380	50	18	0.06	2600	2.58	91	6.35	40	0.48

## YJF-12025 罩极电机 Shaded Pole Motors



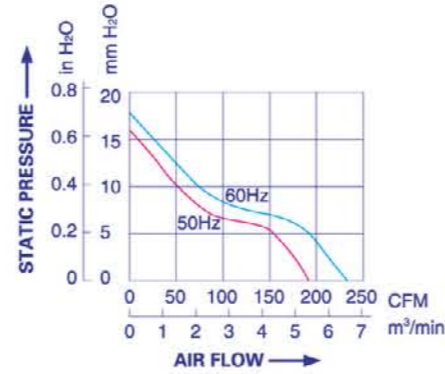
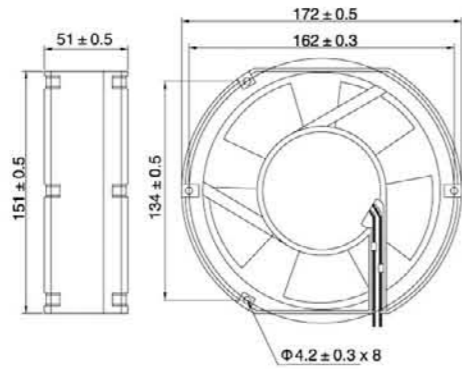
TYPE 型号	BEARING 轴承	LEAD WIRE 引出线	VOLTAGE 额定电压 V	FREQUENCY 额定频率 Hz	RATED INPUT 额定功率 W	RATED CURRENT 额定电流 A	SPEED 额定转速 r/min	AIR VOLUME 额定风量		STATIC PRESSURE 静压 mmH₂O	NOISE 噪音 dBA	NET WEIGHT 净重 kg
								m³/h	CFM			
12025HB	BALL	CABLE/TERMINAL	220~240	50/60	12/10	0.065/0.055	1950	1.87/2.21	66/78	3.56/4.06	38/40	0.33
12025HS	SLEEVE	CABLE/TERMINAL	220~240	50/60	12/10	0.065/0.055	1700	1.87/2.21	66/78	3.56/4.06	38/40	0.33
12025HB	BALL	CABLE/TERMINAL	110~120	50/60	19/18	0.19/0.18	2200/2400	1.87/2.21	66/78	3.56/4.06	38/40	0.33
12025HS	SLEEVE	CABLE/TERMINAL	110~120	50/60	19/18	0.19/0.18	2200/2400	1.87/2.21	66/78	3.56/4.06	38/40	0.33

## YJF-12038-7 罩极电机 Shaded Pole Motors



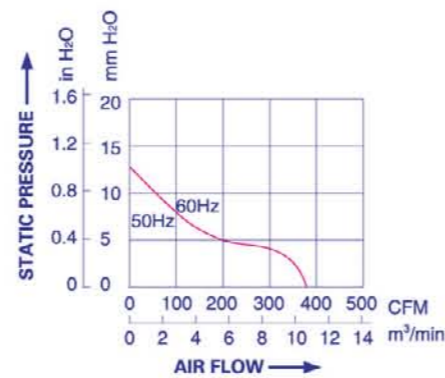
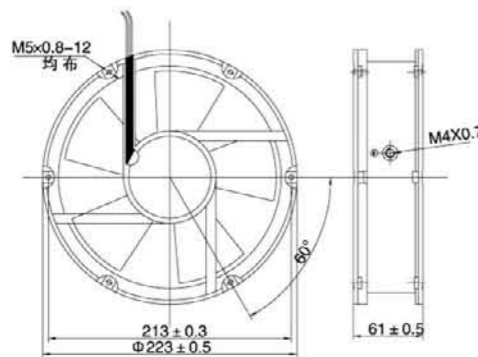
TYPE 型号	BEARING 轴承	LEAD WIRE 引出线	VOLTAGE 额定电压 V	FREQUENCY 额定频率 Hz	RATED INPUT 额定功率 W	RATED CURRENT 额定电流 A	SPEED 额定转速 r/min	AIR VOLUME 额定风量		STATIC PRESSURE 静压 mmH₂O	NOISE 噪音 dBA	NET WEIGHT 净重 kg
								m³/h	CFM			
12038HB-7	BALL	CABLE/TERMINAL	220~240	50/60	20/18	0.13/0.11	2500	2.72/3.37	96/119	6.67/8.01	40/45	0.48
12038HS-7	SLEEVE	CABLE/TERMINAL	220~240	50/60	20/18	0.13/0.11	2500	2.72/3.37	96/119	6.67/8.01	40/45	0.48
12038HB-7	BALL	CABLE/TERMINAL	110~120	50/60	21/18	0.22/0.18	2500/2900	2.72/3.37	96/119	6.67/8.01	40/45	0.48
12038HS-7	SLEEVE	CABLE/TERMINAL	110~120	50/60	21/18	0.22/0.18	2500/2900	2.72/3.37	96/119	6.67/8.01	40/45	0.48
12038HB-7	BALL	CABLE/TERMINAL	380	50	18	0.06	2500	2.72	96	6.67	40	0.48
12038HS-7	SLEEVE	CABLE/TERMINAL	380	50	18	0.06	2500	2.72	96	6.67	40	0.48

## YJF-15050 罩机电机 Shaded Pole Motors



TYPE 型号	BEARING 轴承	LEAD WIRE 引出线	VOLTAGE 额定电压 V	FREQUENCY 额定频率 Hz	RATED INPUT 额定功率 W	RATED CURRENT 额定电流 A	SPEED 额定转速 r/min	AIR VOLUME 额定风量		STATIC PRESSURE 静压 mmH <sub>2</sub> O	NOISE 噪音 dBA	NET WEIGHT 净重 kg
								m <sup>3</sup> /h	CFM			
15050HB	BALL	CABLE/TERMINAL	220~240	50/60	36	0.24	2600	5.37/6.65	190/235	16.00/17.78	45/50	1.00
15050HS	SLEEVE	CABLE/TERMINAL	220~240	50/60	36	0.24	2600	5.37/6.65	190/235	16.00/17.78	45/50	1.00
15050HB	BALL	CABLE/TERMINAL	110~120	50/60	37/36	0.50/0.45	2700/3100	5.37/6.65	190/235	16.00/17.78	45/50	1.00
15050HS	SLEEVE	CABLE/TERMINAL	110~120	50/60	37/36	0.50/0.45	2700/3100	5.37/6.65	190/235	16.00/17.78	45/50	1.00
15050HB	BALL	CABLE/TERMINAL	380	50	34	0.11	2700	5.37	190	16.00	45	1.00
15050HS	SLEEVE	CABLE/TERMINAL	380	50	34	0.11	2700	5.37	190	16.00	45	1.00

## YJF-22060 罩机电机 Shaded Pole Motors



TYPE 型号	BEARING 轴承	LEAD WIRE 引出线	VOLTAGE 额定电压 V	FREQUENCY 额定频率 Hz	RATED INPUT 额定功率 W	RATED CURRENT 额定电流 A	SPEED 额定转速 r/min	AIR VOLUME 额定风量		STATIC PRESSURE 静压 mmH <sub>2</sub> O	NOISE 噪音 dBA	NET WEIGHT 净重 kg
								m <sup>3</sup> /h	CFM			
22060HB	BALL	CABLE/TERMINAL	220~240	50	45	0.30	2200	11	388	25.4	56	1.60
22060HB	BALL	CABLE/TERMINAL	110~120	50/60	57/58	0.76/0.77	2400	11	388	25.4	56	1.60
22060HB	BALL	CABLE/TERMINAL	380	50	47	0.16	2400	11	388	25.4	56	1.60